



# Microwave

FPMO209RF

24" Built-In



### Product Dimensions

Height	13-3/8"
Width	24"
Depth	19-1/8"

### More Easy-To-Use Features

#### Adjustable Timer

Now you can adjust the cooking time of your dish while it's cooking. The adjustable timer allows you to add or remove 30 seconds on the timer.

#### Built-In Trim Kit Available

Optional trim kit available in a Smudge-Proof™ stainless steel trim in 27" or 30" diameter.

#### Available in:



Stainless  
(F)

## Signature Features



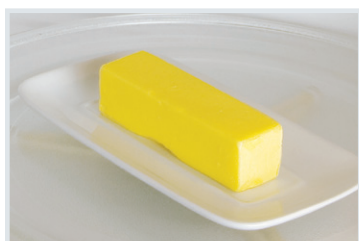
#### PowerSense™ Cooking Technology

Results you can trust. PowerSense™ Cooking Technology automatically senses ideal time and power levels.



#### Smudge-Proof™

Resists fingerprints and cleans easily.



#### Melt Setting

Offers a simple way to melt ingredients like butter and chocolate for consistent baking results.

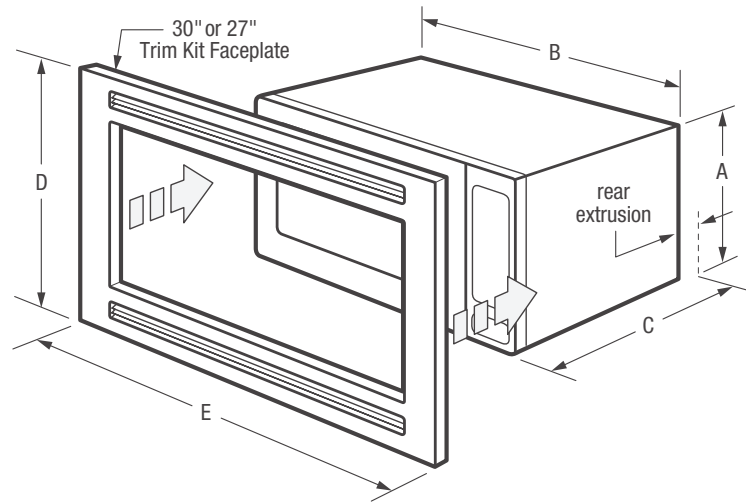


#### Auto Defrost

Great results, even when you're pressed for time. Automatically thaws food like steaks and bacon based upon their weight.

Features	
Control/ Timing System	Pro-Select*
Exterior Door Finish	Smudge-Proof™ Stainless Steel
Handle Design	Push Button
Microwave Capacity (Cu.Ft.)	2.0
Watts (IEC-705 Test Procedure)	1,200
Interior Light	Yes
Interior Color	White
Turntable Diameter	16"
Control Lock	Yes
Clock	Yes
Touch Pad Buttons	22
Power Levels	10
Microwave Control Options	
Popcorn Button	Yes
Sensor Reheat Button	5
Melt & Soften Options	4
Auto Defrost Options	6
One-Touch Add-30-Seconds	Yes
Sensor Cooking Options	5
Vegetable Cook Sensor	4
User Preferences	6
Power Ratings	
Frequency (MHz)	2,450
Watts @ 120 Volts	1,700
Amps @ 120 Volts	14.3
Optional Accessories	
30" Stainless Steel Trim Kit	PN# MWTK30KF
27" Stainless Steel Trim Kit	PN# MWTK27KF
Specifications	
Oven Interior (HxWxD)	10-1/2" x 17-3/8" x 18-5/8"
Power Supply Connection Location	Right Top Rear
Voltage Rating	120V / 60Hz / 15A
Connected Load (kW Rating) @ 120 Volts <sup>1</sup>	1.7
Minimum Circuit Required (Amps)	14.3
Shipping Weight (Approx.)	46 Lbs.

<sup>1</sup>For use on adequately wired 120V, dedicated circuit having 2-wire service with a separate ground wire. Appliance must be grounded for safe operation.



NOTE: For planning purposes only. Always consult local and national electric codes. Refer to Product Installation Guide for detailed installation instructions on the web at [frigidaire.com](http://frigidaire.com).



Product Dimensions		Cutout Dimensions	
A - Height	13-3/8"	Height (Min.)	16-3/4"
B - Width	24"	Height (Max.)	17"
C - Depth	19-1/8"	Width (Min.)	24-3/4"
D - Height (Trim Kit Faceplate)	18-1/8"	Width (Max.)	25"
E - Width (27" Trim Kit Faceplate)	26-15/16"	Depth (Min.)	20"
(30" Trim Kit Faceplate)	29-15/16"		

Accessories information available on the web at [frigidaire.com](http://frigidaire.com)

**FRIGIDAIRE**

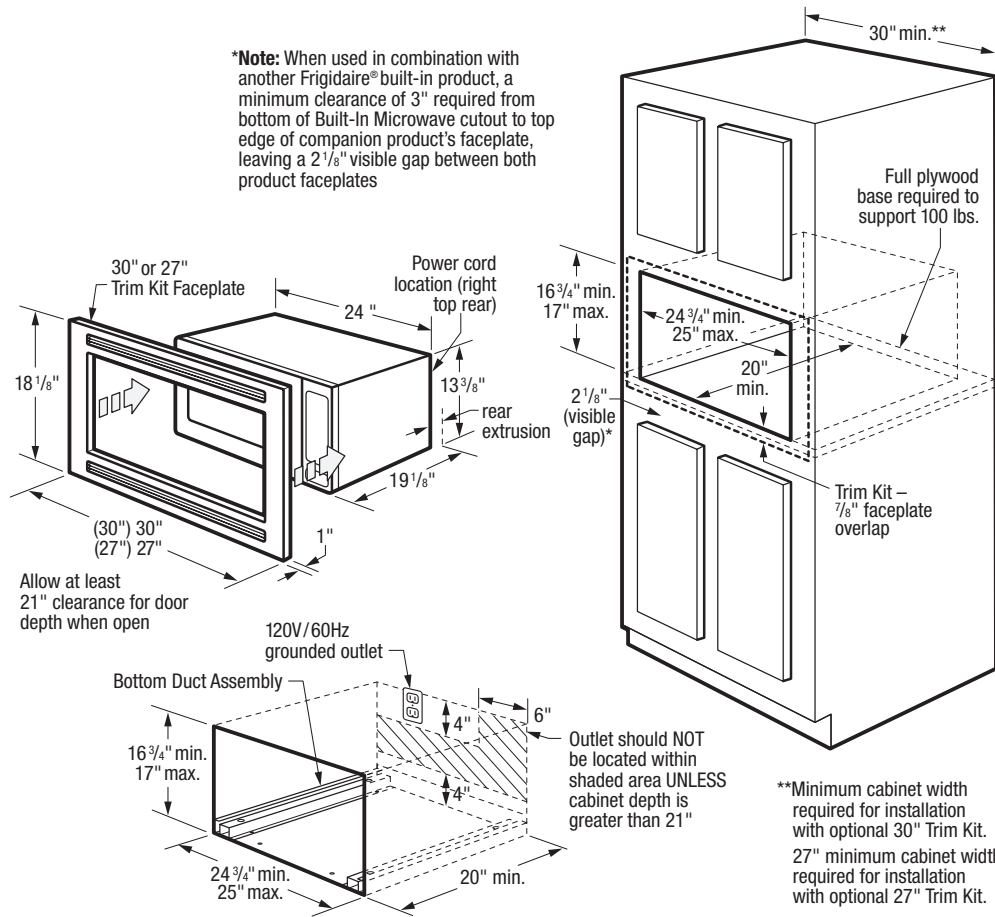
USA • 10200 David Taylor Drive • Charlotte, NC 28262 • 1-800-FRIGIDAIRE • [frigidaire.com](http://frigidaire.com)  
CANADA • 5855 Terry Fox Way • Mississauga, ON L5V 3E4 • 1-800-265-8352 • [frigidaire.ca](http://frigidaire.ca)

FPMO209R 05/16

© 2016 Electrolux Home Products, Inc.

Specifications subject to change.

**\*Note:** When used in combination with another Frigidaire® built-in product, a minimum clearance of 3" required from bottom of Built-In Microwave cutout to top edge of companion product's faceplate, leaving a 2 1/8" visible gap between both product faceplates



\*\*Minimum cabinet width required for installation with optional 30" Trim Kit. 27" minimum cabinet width required for installation with optional 27" Trim Kit.

### Microwave Specifications

- Product Shipping Weight (Approx.) - 46 Lbs. (*not incl. Trim Kit*)
- Voltage Rating - 120V/60 Hz/15 Amps
- Connected Load (kW Rating) @ 120 Volts = 1.7 kW (For use on adequately wired 120V, dedicated circuit having 2-wire service with a separate ground wire. Appliance must be grounded for safe operation.)
- Amps @ 120 Volts = 14.3 Amps
- Always consult local and national electric codes.
- Microwave can stand alone on countertop or be built in with optional 30" or 27" Trim Kit (*ordered by individual part number*) which includes Bottom Duct Assembly - shipped in separate box.
- Allow 21" minimum clearance for 90° door swing.
- Minimum 20" deep oven cutout dimension is critical for proper installation for oven and faceplate to fit flush against cabinet front.
- Consult local building code, in the event that cutout opening may be required to be enclosed with sides, ceiling and rear partition.
- Full oven base of solid plywood or similar material required, capable of supporting 100 Lbs.

- Base must be level and front of cabinet square for proper operation.
- Grounded outlet should NOT be located in shaded area, as indicated, UNLESS cabinet depth is greater than 21".
- Can NOT be installed above any gas wall oven.
- Built-In Microwave is approved to be used in combination with any Frigidaire® Electric Single Wall Oven and/or Warmer Drawer. (*Refer to model-specific Combination Installation Specification pages on web.*)
- When used in combination with another Frigidaire® built-in product, a minimum clearance of 3" required from bottom of Built-In Microwave cutout to top edge of companion product's faceplate, leaving a 2-1/8" visible gap between both product faceplates.

**Note:** For planning purposes only. Refer to Product Installation Guide on the web at [frigidaire.com](http://frigidaire.com) for detailed instructions

### Optional Accessories

- 30" Stainless Steel Trim Kit - (PN# MWTK30KF).
- 27" Stainless Steel Trim Kit - (PN# MWTK27KF).