



COOKER HOOD

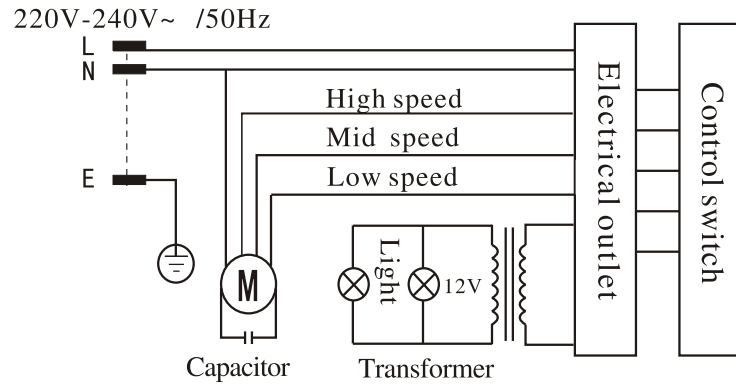
INSTRUCTION MANUAL



HWS-60V1

Read this manual carefully before operation

9.2 Electrical Diagram



10. Main Parameters

Rated Input	220V-240V~ /50Hz
Rated Power	193W
Lighting Power	1.5W×2
Motor Power	190W
Motor	Single Motor
Air tube diameter	150mm
Air output	(540±60)m ³ /h
Air pressure	≥300Pa
Noise	≤61dB

11. Disposal



Please dispose of it at your local community waste collection / recycling centre and ensure it presents no danger to children while being stored for disposal. The plug must be rendered useless and the cable cut off to prevent misuse.

Content

1.....	Components
2.....	Notice
3.....	Feature
4.....	Installation
5.....	Notice of Installation
6.....	Safety Warning
7.....	Use
8.....	Maintenance
9.....	Abnormity and Solution
10.....	Main Parameters
11.....	Disposal

1.Components

No	Name
1	grease filter
2	guide plate
3	airproof seal
4	LED lamp
5	lamp cord
6	switch cord
7	plastic expand tube
8	wood bolt
9	bracket
10	extra screw
11	outlet
12	external vent
13	adjustable bracket (option)
14	adjustable decorating trim (option)
15	U-shaped section
16	screws
17	bolt gasket
18	ferrule
19	top plate
20	power cord groupware
21	control box cover
22	power circuit board
23	control box soleplate
24	hole ferrule
25	impeller
26	snail shell groupware
27	motor groupware
28	wind inlet ring
29	button
30	switch box
31	switch circuit board
32	switch box cover
33	switch box bracket

9. Abnormity and Solution

9.1 Trouble shooting

Fault	Cause	Solution
Light on, but motor does not work	The blades are blocked.	
	The capacitor is damaged.	Replace capacitor.
	The motor is damaged.	Replace motor.
	The internal wiring of motor is cut off / disconnected. An unpleasant smell may be produced.	Replace motor.
Both light and motor do not work	Apart from the above mentioned, check the following:	
	Light damaged.	Replace lights.
	Power cord loose.	Connect the wires as per the electric diagram.
Oil leakage	Outlet and the air ventilation entrance are not tightly sealed.	Take down the outlet and seal with glue.
	Leakage from the connection of U-shaped section and cover.	Take U-shaped section down and seal with soap or paint.
Vibration	The blade, if damaged, can cause vibrating.	Replace the blade.
	The motor is not tightly fastened.	Fasten the motor tightly.
	The cooker hood is not tightly fixed.	Fix the cooker hood tightly.
Insufficient suction	The distance between the cooker hood and the cooker top is too large.	Readjust the distance.
	Too much ventilation from open doors or windows.	Choose a new place to install the appliance or close some doors / windows.
The machine inclines	The fixing screws are not tight enough.	Tighten the fixing screw and make it horizontal.
	The hanging screws are not tight enough.	Tighten the hanging screw and make it horizontal.

8. Maintenance

8.1 The cleaning of the carbon grease filter mesh.

The filter mesh is made of high density aluminum. Please do not use corrosive detergent for cleaning. The proper function of the unit is conditioned by the regularity of the maintenance. Please strictly follow the guidelines below:

Method 1: Put the mesh into 40~50°C warm, soapy solution and soak about 2~3 minutes. Wear a glove and clean with a soft brush. Please do not apply too much pressure, as the mesh is delicate and can be damaged easily.

Method 2: The filter / can be cleaned in dishwasher, set the temperature at around 60°C.

※ The installing drawing of filter A1.

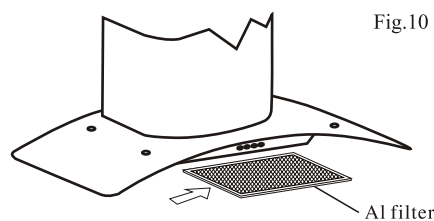


Fig.10

8.2 Cleaning the fan and other surfaces of the appliance regularly using a cloth moistened with denatured alcohol or non abrasive liquid detergent.

8.3 When need to replace the lamp, please MAKE SURE the electric power plug has been removed.

- Use the right screwdriver to insert the gap between the lamp and the guide plate, pry it out gently and take off the lamp.
- Use the same and new type of lamp and then fix on the mounting hole of the guide plate.

8.4 Notice of cleaning the cooker hood.

- To protect the main body from corrosive of the long time accumulation of dirt, the cooker hood should be cleaned with hot water with non-corrosive detergent every two months.
- Please do not use abrasive detergent as it will damage the body.
- Never immerse the motor and any other electrical parts in water or other liquid.
- Before cleaning, ensure the power is cut off.
- The carbon filters are not washable nor reusable and must be replaced at every four months.

2. Notice

- Thanks for choosing our cooker hood. Please read the manual carefully before use.
- The installation and repair work must be undertaken by a qualified and competent person.
- The manufacturer disclaims all liability for any damage or injury caused as a result of not following the instructions of installation.
- The cooker hood should be put on 220V-240V~ /50Hz.

3. Feature

- The cooker hood is made of high quality materials in a streamlined design.
- Equipped with high power and low noise electric motor, the cooker hood produces strong suction, low noise.
- With the isolated low voltage circuit board control, 12V AC input, the lights are therefore safer.
- Special wind tunnel construction, free dirt will be absorbed in a second.

4. Installation

- The cooker hood should be placed 65~75cm up from the cooking plane for safe and a good effect. See Fig.1.
- There shall be adequate ventilation of the room when the cooker hood is working.
- Fix the outlet on the motor box. See Fig.2.
- Drill 3 holes with a diameter of 8mm to accommodate the bracket, and the holes must be aligned.
- Insert screws into the holes and tighten.
- Fix the drilling template. See Fig.3.
- Hang the cooker hood on the bracket. See Fig.4.
- Fix an extra screw to prevent the cooker hood from being inadvertently slid off from the bracket. See Fig.5.
- Fix the external vent to outlet, then feed it through to external wall. See Fig.6.
- Put the U-shaped section on the suction. See Fig.7.
- Adjustable decorating hood can be used to adjust the height. If necessary, please insert it into the U-shaped section and pull upward to a suitable height.
- Fix the grease filter at the bottom of the cooker hood. (If moved at the beginning.)

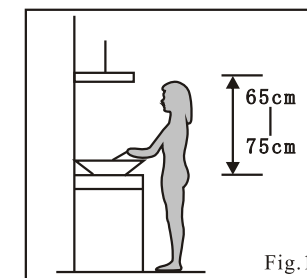
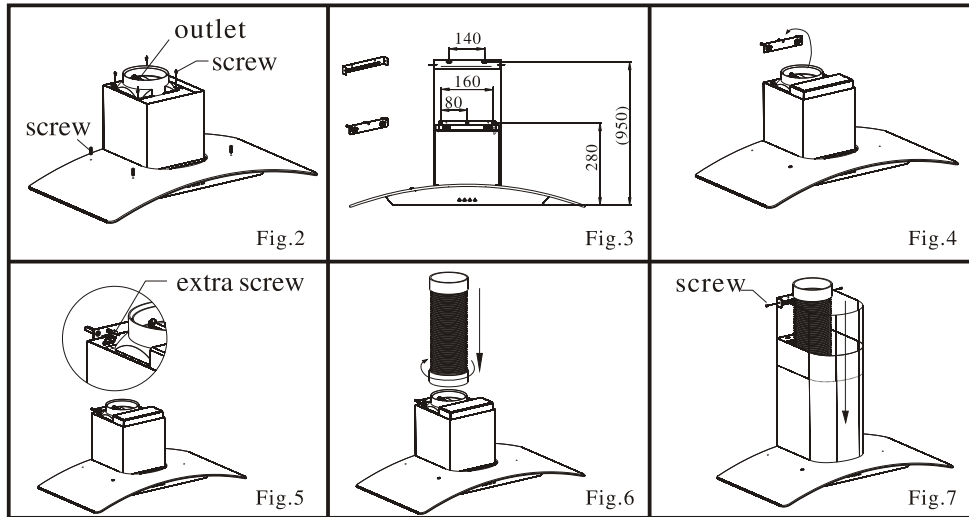
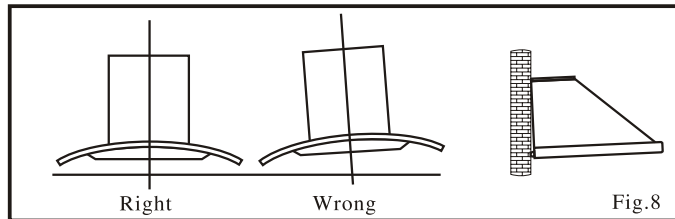


Fig.1



5. Notice of Installation

- It can not share the same air ventilation tube with other appliance such as gas tube, warmer tube, and hot wind tube. There will be hazard of underpressure, combustion impaired and harmful gases drawn back.
- The bending of ventilation tube should be $\geq 120^\circ$, parallel or above the start point / should be connected to the external wall.
- Please make sure the bracket is placed horizontally.
- After installation, make sure that the extractor is placed horizontally to avoid grease collection at one end. See Fig. 8.



- After installation, make sure that plug can be pulled out if necessary.

6. Safety Warning

- The appliance is not intended for use by young children or infirm persons without supervisions.
- Young children should be supervised to ensure they do not play with the appliance.

- Plug the power cord to socket outlet with earthing continuity terminal.
- The cooker hood is for home use only, not suitable for barbecue, roast shop and other commercial purposes.
- The cooker hood and its filter mesh should be cleaned regularly according to the instruction.
- Do not use open flame, or allow oil to go beneath the appliance.
- If there is any fault occurred with the appliance, please call after-sale service department.
- Please keep the kitchen room ventilated.
- Prior to any maintenance, cleaning operation, ensure the power is cut off.
- If the supply cord is damaged, it must be replaced by the manufacturer, service agent or similarly qualified person in order to avoid a hazard. The replaced power cord should be provided by manufacturer or seller.
- If the plug or cord is damaged, please call after-sale service center.
- There is a fire risk if cleaning is not carried out in accordance with the instruction; regulations.
- In case of damaged connecting wire, please refer to the manufacturer, after-sale service personnel or other qualified technicians.
- Use the unit according to the instructions to avoid any fire hazard.
- The exhaust air must not be introduced into a smoke flue or chimney that is used for exhausting fumes from appliances burning gas.
- Follow the local laws applicable for external air evacuation.

7. Use

Speed adjustment. See Fig.9.

- Turn on the power, the buzzer will buzz one time. The sound shows that the appliance is powered.
- Press the Low (speed) button, the indicating light above on, the buzzer will buzz once, and the motor runs at low speed. Press it again and the motor will stop.
- Press the Mid (speed) button, the indicating light above on, the buzzer will buzz once, and the motor runs at mid speed. Press it again and the motor will stop.
- Press the High (speed) button, the indicating light above on, the buzzer will buzz once, and the motor runs at high speed. Press it again and the motor will stop.
- Press the Light button, the indicating light on, and the two lighting lamps will come on. Press it again and the lamps will be turned off. With every press the buzzer will buzz one time.

